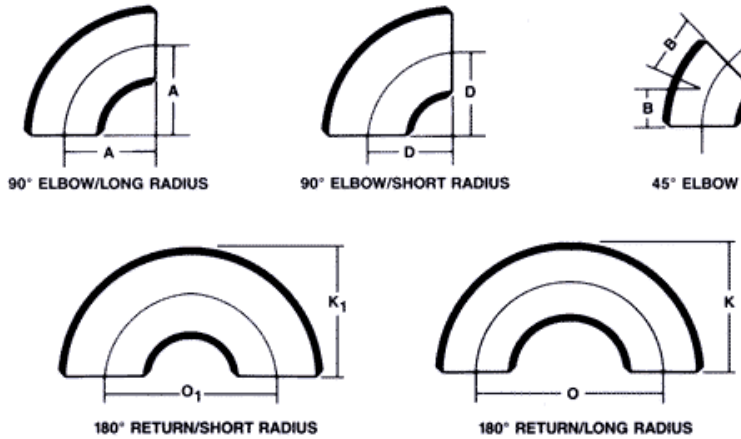


# Dunlap Stainless, Inc.

2905 Ramsey Road  
Gainesville, GA 30507



## Elbows & Returns



| NOM PIPE SIZE | OUT-SIDE DIAM. O.D. | A     | B     | D     | O     | K     | O <sup>1</sup> | K <sup>1</sup> |
|---------------|---------------------|-------|-------|-------|-------|-------|----------------|----------------|
| 1/2           | 0.84                | 1.50  | 0.62  | -     | 3.00  | 1.88  | -              | -              |
| 3/4           | 1.05                | 1.50  | 0.75  | -     | 3.00  | 2.00  | -              | -              |
| 1             | 1.32                | 1.50  | 0.88  | 1.00  | 3.00  | 2.19  | 2.00           | 1.62           |
| 1 1/4         | 1.66                | 1.88  | 1.00  | 1.25  | 3.75  | 2.75  | 2.50           | 2.06           |
| 1 1/2         | 1.90                | 2.25  | 1.12  | 1.50  | 4.50  | 3.25  | 3.00           | 2.44           |
| 2             | 2.38                | 3.00  | 1.38  | 2.00  | 6.00  | 4.19  | 4.00           | 3.19           |
| 2 1/2         | 2.88                | 3.75  | 1.75  | 2.50  | 7.50  | 5.19  | 5.00           | 3.94           |
| 3             | 3.50                | 4.50  | 2.00  | 3.00  | 9.00  | 6.25  | 6.00           | 4.75           |
| 3 1/2         | 4.00                | 5.25  | 2.25  | 3.50  | 10.50 | 7.25  | 7.00           | 5.50           |
| 4             | 4.50                | 6.00  | 2.50  | 4.00  | 12.00 | 8.25  | 8.00           | 6.25           |
| 5             | 5.56                | 7.50  | 3.12  | 5.00  | 15.00 | 10.31 | 10.00          | 7.75           |
| 6             | 6.62                | 9.00  | 3.75  | 6.00  | 18.00 | 12.31 | 12.00          | 9.31           |
| 8             | 8.62                | 12.00 | 5.00  | 8.00  | 24.00 | 16.31 | 16.00          | 12.31          |
| 10            | 10.75               | 15.00 | 6.25  | 10.00 | 30.00 | 20.38 | 20.00          | 15.38          |
| 12            | 12.75               | 18.00 | 7.50  | 12.00 | 36.00 | 24.38 | 24.00          | 18.38          |
| 14            | 14.00               | 21.00 | 8.75  | 14.00 | 42.00 | 28.00 | 28.00          | 21.00          |
| 16            | 16.00               | 24.00 | 10.00 | 16.00 | 48.00 | 32.00 | 32.00          | 24.00          |
| 18            | 18.00               | 27.00 | 11.25 | 18.00 | 54.00 | 36.00 | 36.00          | 27.00          |
| 20            | 20.00               | 30.00 | 12.50 | 20.00 | 60.00 | 40.00 | 40.00          | 30.00          |
| 22            | 22.00               | 33.00 | 13.50 | 22.00 | 66.00 | 44.00 | 44.00          | 33.00          |
| 24            | 24.00               | 36.00 | 15.00 | 24.00 | 72.00 | 48.00 | 48.00          | 36.00          |

ALL DIMENSIONS ARE IN INCHES  
ALL DIMENSIONS ARE IN ACCORDANCE WITH ASME/ANSI B16.9